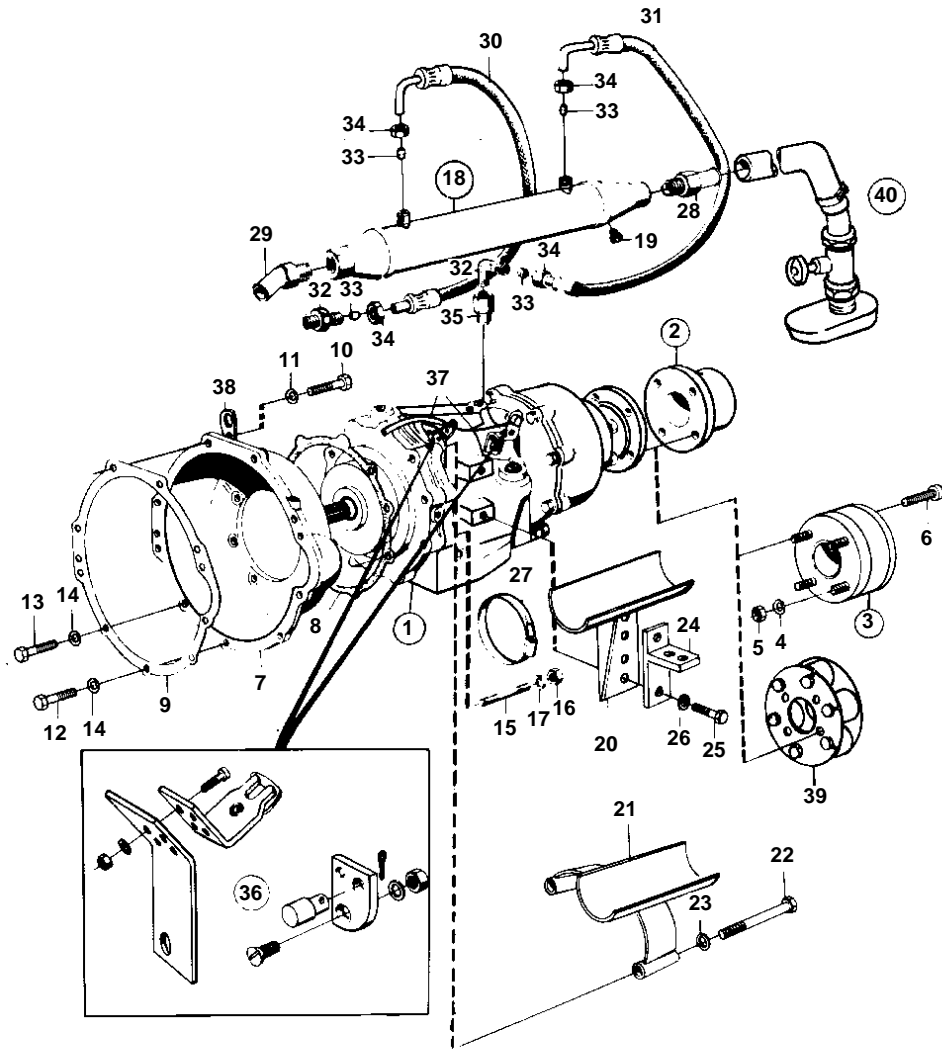


BB115A, BB115B, BB115C



4821

BB115A, BB115B, BB115C

| REF | PART NO. | QTY | DESCRIPTION            | NOTES  |
|-----|----------|-----|------------------------|--|
| 1   |          | 1   |                        | 4" PROPELLER SHAFT FLANGE.   |
|     |          | 1   | 5:1                    | 4" PROPELLER SHAFT FLANGE., BW AS2-71CR  |
|     |          | 1   | 91:1                   | REPLACED BY REVERSE GEAR 834707, FLANGE 819105., 4" PROPELLER SHAFT FLANGE., BW AS7-71CR |
|     |          | 1   | 91:1                   | 5" PROPELLER SHAFT FLANGE., BW AS7-71CR  |
|     |          | 1   | 1:1                    | REPLACED BY REVERSE GEAR 834708, FLANGE 819105., 4" PROPELLER SHAFT FLANGE., BW AS3-71CR |
|     |          | 1   | 1:1                    | 5" PROPELLER SHAFT FLANGE., BW AS3-71CR  |
|     |          | 1   | 91:1                   | REPLACED BY REVERSE GEAR 834709., 5" PROPELLER SHAFT FLANGE., BW AS15-71CR               |
|     |          | 1   | 91:1                   | 5" PROPELLER SHAFT FLANGE., BW AS15-71CR   |
|     |          |     | · COMPONENTS           |  |
| 2   |          | 1   | PROPELLER SHAFT FLANGE | SEE GROUP 9  |
| 3   |          | 1   | Elastic coupling       | 5" PROPELLER SHAFT FLANGE., PREDRILLED.  |
| 4   | 941909   | 4   | · Spring washer        |  |
| 5   | 940157   | 4   | · Hexagon nut          |  |
| 6   | 959241   | 6   | · Hex. socket screw    |  |
| 7   |          | 1   | Flywheel housing       |  |
| 8   |          | 1   | Gasket                 |  |
| 9   |          | 1   | Gasket                 |  |
| 10  | 940160   | 4   | Hexagon screw          | 7/16" - 14 UNC   |
|     | 955342   | 4   | Hexagon screw          | M12  |
| 11  | 941909   | 4   | Spring washer          | D = 11,5 MM  |
|     | 940280   | 4   | Spring washer          | D = 13,5 MM  |
| 12  | 955525   | 1   | Hexagon screw          |  |
| 13  | 940186   | 2   | Hexagon screw          |  |
| 14  | 941907   | 3   | Spring washer          |  |
| 15  |          | 6   | Stud                   | EARLY TYPE   |
|     |          | 4   | Stud                   | LATE TYPE  |
| 16  | 940157   | 5   | Hexagon nut            | EARLY TYPE   |
|     |          | 1   | Nut                    | EARLY TYPE   |
|     | 940157   | 4   | Hexagon nut            | LATE TYPE  |
| 17  | 941909   | 6   | Spring washer          | EARLY TYPE   |
|     | 941909   | 4   | Spring washer          | LATE TYPE  |
| 18  |          | 1   | Oil cooler             |  |
| 19  | 180759   | 2   | · Plug                 |  |
| 20  |          | 1   | Bracket                | EARLY TYPE   |
| 21  |          | 1   | Bracket                | LATE TYPE  |
| 22  |          | 2   | Hexagon screw          | LATE TYPE  |
| 23  | 955896   | 2   | Washer                 | LATE TYPE  |
| 24  |          | 1   | Bracket                | SEE GROUP 2A   |
| 25  | 940134   | 2   | Hexagon screw          | SEE GROUP 2A   |
| 26  | 941909   | 2   | Spring washer          | SEE GROUP 2A   |
| 27  | 943478   | 2   | Hose clamp             | (951794)   |
| 28  |          | 1   | Hose attachment        |  |
| 29  |          | 1   | Hose attachment        | SEE GROUP 2B   |
| 30  |          | 1   | Hose                   | L = 500 MM EARLY TYPE  |
|     |          | 1   | Hose assembly          | L = 360 MM LATE TYPE   |
| 31  |          | 1   | Hose assembly          | L = 360 MM   |
| 32  | 941757   | 4   | Elbow nipple           | EARLY TYPE   |
|     | 941757   | 1   | Elbow nipple           | LATE TYPE  |
|     | 941750   | 1   | Nipple                 | LATE TYPE  |
| 33  | 956970   | 4   | Ferrule                |  |
| 34  | 956984   | 4   | Fitting nut            |  |
| 35  | 804533   | 1   | Nipple                 |  |
| 36  |          | 1   | BRACKET KIT            | SPEC 867091, 867142.   |
| 37  |          | X   | CONTROL CABLE          | SEE GROUP 9  |
| 38  |          | 1   | LIFT EYE               |  |
| 39  | 819153   | 1   | Rubber coupling        | SEE GROUP 9  |
| 40  |          | 1   | COOLING WATER INTAKE   | SEE GROUP 9  |
|     |          | 1   | COUPLING FLANGE        | SEE GROUP 9  |

7736850 - 44 - 12885

4821

Upd: 2009-12-10